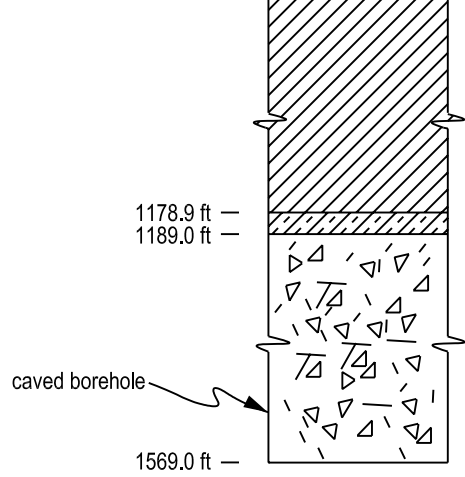
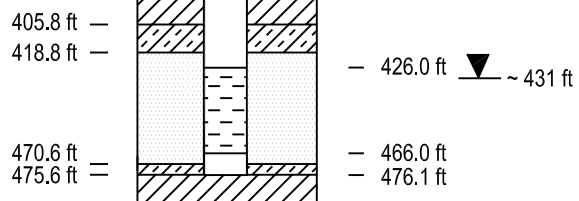


EXPLANATION	
	Cement Grout
	Granular Bentonite (3/8 in. - dry)
	Bentonite Grout ( $\geq 30\%$ solids) and Hydrated Granular Bentonite (3/8 in. and 8 Mesh)
	Sand (8/20 Mesh) / Granular Bentonite (8 Mesh) (~ 2:1 by weight)
	RMC Monterey #3 Sand (8/20 Mesh)
	Caved Borehole
	Well Screen (0.02 in. slots, 7.4 in. <sup>2</sup> /ft open area)



**Note: Indicated water level is approximate open hole water level with borehole drilled to 1485 ft.**

Nye County, Nevada Nuclear Waste Repository Project Office		
Early Warning Drilling Program Well Completion Diagram NC-EWDP-13P		
Date: 05/07	Geologist: SL	Checked: JSW
Scale: none	Drawn by: KJG	Approved: KJG